

DICOM Conformance Statement

Presto 4 Slice Multi System

Rev. 1.0	2003/07/22
Rev. 2.0	2003/09/24
Rev. 3.0	2004/02/11
Rev. 4.0	2004/08/04
Rev. 5.0	2004/12/27
Rev. 5.1	2005/04/18

Hitachi Medical Corporation

(SN-C275E)

Copyright © Hitachi Medical Corporation. 2003-2005. All right reserved.

Table of Contents

1 Introduction.....	3
1.1 Scope of Application.....	3
1.2 Important Note to the Reader.....	3
1.3 General Acronyms and Abbreviations	4
2 Implementation Model.....	5
2.1 Application Data Flow Diagram.....	5
2.2 Function Definition of Application Entities (AE)	6
2.3 Sequencing of Real World Activities	7
3 AE Specifications.....	8
3.1 Association Establishment Policies.....	9
3.1.1 General.....	9
3.1.2 Number of Associations	9
3.1.3 Asynchronous Nature	9
3.1.4 Implementation Identifying Information	9
3.2 Association Initiation by Real-World Activity	10
3.2.1 Image Transfer and Receive.....	10
3.2.1.1 Associated Real-World Activity	10
3.2.1.2 Proposed Presentation Context.....	10
3.2.1.3 SOP Specific Conformance for Storage SOP Class.....	11
3.2.2 Image Print	12
3.2.2.1 Associated Real-World Activity	12
3.2.2.2 Proposed Presentation Context.....	12
3.2.2.3 SOP Specific Conformance for Print SOP Class.....	13
3.2.3 Modality Worklist Management.....	16
3.2.3.1 Associated Real-World Activity	16
3.2.3.2 Proposed Presentation Context.....	16
3.2.3.3 SOP Specific Conformance for Modality Worklist Management SOP Class	17
3.2.4 Modality Performed Procedure Step.....	18
3.2.4.1 Associated Real-World Activity	18
3.2.4.2 Proposed Presentation Context.....	18
3.2.4.3 SOP Specific Conformance for Modality Performed Procedure Step SOP Class	18
3.2.5 Storage Commitment.....	19

3.2.5.1	Associated Real-World Activity	19
3.2.5.2	Proposed Presentation Context.....	19
3.2.5.3	SOP Specific Conformance for Storage Commitment SOP Class.....	20
3.2.6	Query/Retrieve	21
3.2.6.1	Associated Real-World Activity	21
3.2.6.2	Proposed Presentation Context.....	21
3.2.6.3	SOP Specific Conformance for Query/Retrieve SOP Class	22
4	Communication Profiles.....	23
4.1	Supported Communication Stacks.....	23
4.2	TCP/IP Stack.....	23
4.2.1	API.....	23
4.2.2	Physical Media Support.....	23
5	Extensions / Specializations / Privatizations	23
5.1	Standard Extensions / Specializations / Private SOP	23
5.2	Private Transfer Syntax	23
6	Configuration.....	24
6.1	AE Title / Presentation Address Mapping	24
6.2	Configurable Parameters	24
7	Support of Extended Character Sets.....	24
8	Annex A.....	25
9	Annex B.....	32
10	Annex C.....	36
11	Annex D.....	39
12	Annex E.....	41
13	Annex F.....	42

1 Introduction

This chapter describes general information about the purpose, scope, and contents of the DICOM Conformance Statement.

1.1 Scope of Application

This DICOM Conformance Statement describes data exchange method with Hitachi CT system Presto according to the DICOM Standard.

This document provides technical information about data exchange capability of the Presto. The main contents describing the capability are: the Service Object Pair (SOP) Class being supported, Roles, Information Object Definition (IOD) and Transfer Syntaxes. This Conformance Statement should be read in conjunction with the DICOM Standard and its addenda.

1.2 Important Note to the Reader

This Conformance Statement by itself does not guarantee successful interoperability of the Presto with other equipment. The user (or User's agent) are requested to pay full attention on the following points:

- **Connection test**

When the Presto is connected with other equipment, compare the relevant Conformance Statement at first. Additionally, the connection tests will be required to ensure the functionality, performance, accuracy and stability of image and image related data.

- **Future Versions of the DICOM Standard**

The DICOM Standard will evolve in future to meet the user's growing requirements and to incorporate new features and technologies. The Presto may be actively conformed to future version of the DICOM Standard. Accordingly, if other equipment having been connected with the Presto does not conform to the new version of the DICOM Standard, the equipment connectability and compatibility with the Presto may be lost.

1.3 General Acronyms and Abbreviations

The following acronyms and abbreviations are used in the document.

- AE Application Entity
- DICOM Digital Imaging and Communications in Medicine
- DIMSE DICOM Message Service Element
- IOD Information Object Definition
- LUT Look Up Table
- PDU Protocol Data Unit
- SCP Service Class Provider
- SCU Service Class User
- SOP Service Object Pair
- TCP/IP Transmission Control Protocol / Internet Protocol
- UID Unique Identifier

2 Implementation Model

In the Hitachi CT system Presto, the application entity (AE) operates the functions of DICOM. The AE receives a command from the user interface and performs the DICOM services.

2.1 Application Data Flow Diagram

The Presto can require to storage images held in the database to the specified remote system. Moreover, it can require to print images to the DICOM printer. To perform these functions, Presto Presto AE and Presto print AE start association against the remote AE.

The implementation model of the Presto illustrated to in Fig. 2.1.

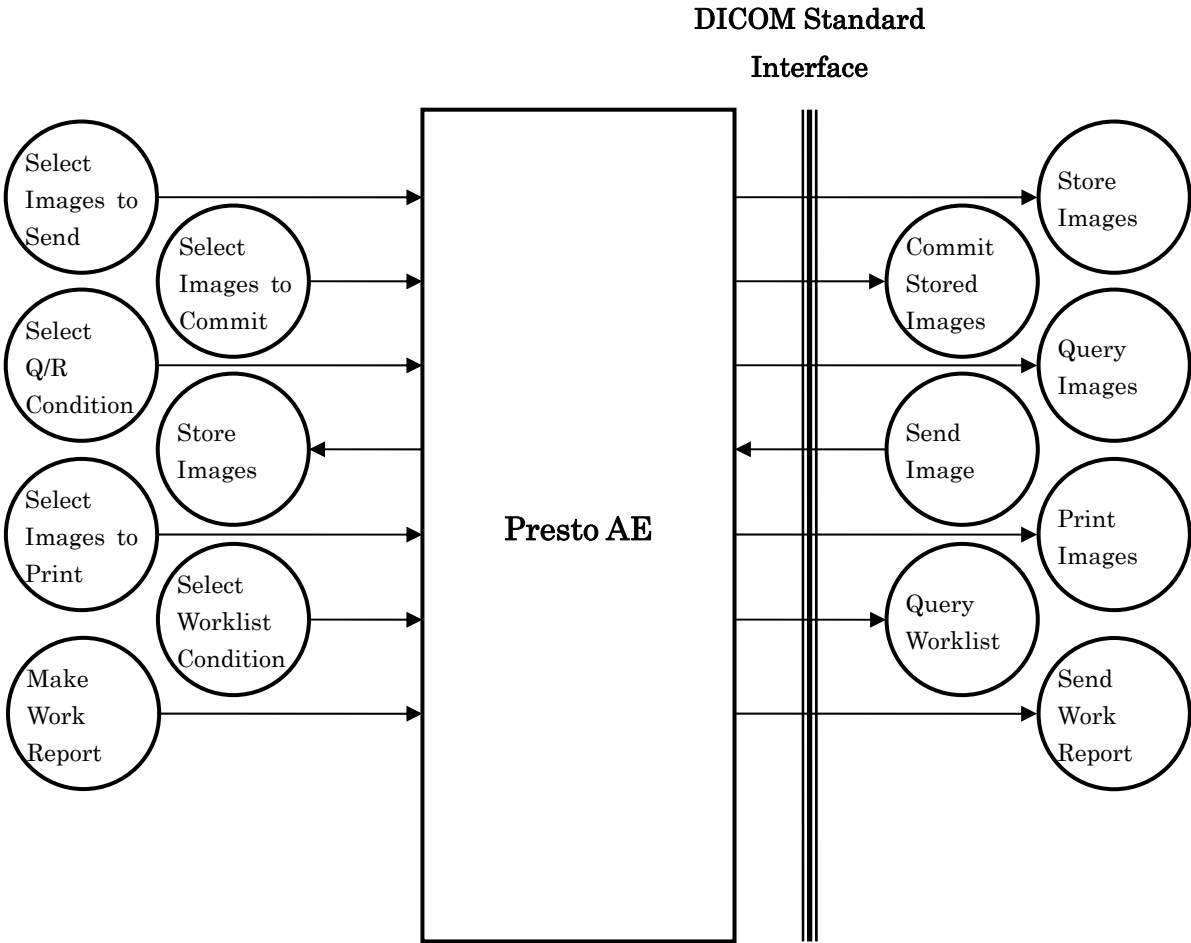


Fig. 2.1 Presto Implementation Model

2.2 Function Definition of Application Entities (AE)

The Presto AE acts as following Service Class User (SCU).

- Storage Service Class
- Print Management Service Class
- Modality Worklist Management Service Class
- Modality Performed Procedure Step Service Class
- Storage Commitment Service Class
- Query/Retrieve Service Class

The Presto AE performs following operations as a Storage Service Class SCU. It starts an association against the remote AE to send images. And then if it would be able to establish the association with remote AE, the Presto AE transfers images to the remote AE on the same association.

The Presto AE performs following operations as a Print Management Service Class SCU. It starts an association against the remote AE to print images on films. And then if it would be able to establish the association with remote AE, the Presto AE transfers film sheets to the remote AE on the same association.

The Presto AE performs following operations as a Modality Worklist Management Service Class SCU. It starts an association against the remote AE to query worklists. And then if it would be able to establish the association with remote AE, the Presto AE transfers worklist query conditions to the remote AE on the same association. When it retrieves worklists from remote AE, it displays them.

The Presto AE performs following operations as a Modality Performed Procedure Step Service Class SCU. It starts an association against the remote AE to send work report. And then if it would be able to establish the association with remote AE, the Presto AE transfers work report to the remote AE on the same association.

The Presto AE performs following operations as a Storage Commitment Service Class SCU. It starts an association against the remote AE to send image lists. And then if it would be able to establish the association with remote AE, the Presto AE transfers image lists to the remote AE on the same association.

The Presto AE performs following operations as a Query/Retrieve Service Class SCU. It starts an association against the remote AE to query and retrieve images. And then if it would be able to establish the association with remote AE, the Presto AE transfers images query conditions to the remote AE on the same association. When it retrieves image lists from remote AE, it displays them. And then Presto AE transfers keys of image to move to the remote AE on the same association.

The Presto AE acts as following Service Class Provider (SCP).

- Storage Service Class

The Presto AE performs following operations as a Storage Service Class SCP. The remote AE starts an association, the Presto AE negotiates. And then if it would be able to establish the association with remote AE, the Presto AE receives images from the remote AE on the same association.

2.3 Sequencing of Real World Activities

Not applicable.

3 AE Specifications

It writes clearly about the Presto AE specifications of the Hitachi CT system Presto. The Presto AE provides standard conformance to DICOM SOP class shown in Table 3.1.1 as an SCU and DICOM SOP class shown in Table 3.1.2 as an SCP.

Table 3.1.1 Supported SOP Classes by the Presto AE as SCU

SOP Class Name	SOP Class UID
CT Image Storage	1.2.840.10008.5.1.4.1.1.2
Basic Grayscale Print Management Meta SOP Class	1.2.840.10008.5.1.1.9
> Basic Film Session SOP Class	1.2.840.10008.5.1.1.1
> Basic Film Box SOP Class	1.2.840.10008.5.1.1.2
> Basic Grayscale Image Box SOP Class	1.2.840.10008.5.1.1.4
> Printer SOP Class	1.2.840.10008.5.1.1.16
Worklist Management Information Model - FIND	1.2.840.10008.5.1.4.31
Modality Performed Procedure Step SOP Class	1.2.840.10008.3.1.2.3.3
Storage Commitment Push Model SOP Class	1.2.840.10008.1.20.1
Basic Annotation Box SOP Class	1.2.840.10008.5.1.1.15
Patient Root Query/Retrieve Information Model - FIND	1.2.840.10008.5.1.4.1.2.1.1
Patient Root Query/Retrieve Information Model - MOVE	1.2.840.10008.5.1.4.1.2.1.2
Study Root Query/Retrieve Information Model - FIND	1.2.840.10008.5.1.4.1.2.2.1
Study Root Query/Retrieve Information Model - MOVE	1.2.840.10008.5.1.4.1.2.2.2

Table 3.1.2 Supported SOP Classes by the Presto AE as SCP

SOP Class Name	SOP Class UID
CT Image Storage	1.2.840.10008.5.1.4.1.1.2

3.1 Association Establishment Policies

3.1.1 General

On an association that the Presto AE starts, the maximum PDU size is 28 k bytes. Moreover, It does not support SOP class extended negotiation.

3.1.2 Number of Associations

Number of association to be established by the Presto AE at a time is maximum 5.

3.1.3 Asynchronous Nature

The Presto AE does not support asynchronous operations.

3.1.4 Implementation Identifying Information

Implementation Class UID is: 1.2.392.200036.9123.100.11.12.3

Implementation Class Version is: HMC_CT_321

3.2 Association Initiation by Real-World Activity

3.2.1 Image Transfer and Receive

The Presto AE starts an association in case a user performs the image transfer (image storage) operation. Also, the Presto AE starts an association to receive images in case the remote AE requests to transfer images to the Presto AE.

3.2.1.1 Associated Real-World Activity

The operator can choose images from the database of the Presto and can transfer the copy to other databases.

The Presto AE starts an association to the remote AE for every patient. And then it transfers a C-STORE request using the established association. And then the association is released after transmission the all images finish.

The Presto AE can receive images from the remote AE and register them to the database of the Presto. However, it will be able to receive only Presto's images.

The Presto AE negotiates when the remote AE starts an association. And then the remote AE transfers a C-STORE request using the established association, the Presto AE transfers a C-STORE response against the remote AE.

3.2.1.2 Proposed Presentation Context

The Presto AE proposes the following table 3.2.1 presentation contexts.

Table 3.2.1 Proposed Presentation Contexts

Presentation Context Table					
Abstract Syntax		Transfer Syntax		Role	Extended Negotiation
Name	UID	Name List	UID List		
CT Image Storage	1.2.840.10008.5.1.4.1.1.2	Implicit VR Little Endian	1.2.840.10008.1.2	SCU/	None
		Explicit VR Little Endian	1.2.840.10008.1.2.1	SCP	
		Explicit VR Big Endian	1.2.840.10008.1.2.2		

3.2.1.3 SOP Specific Conformance for Storage SOP Class

The Presto AE can perform one or more C-STORE operation in a single association.

If an association is established, the Presto AE issues the C-STORE and transfers the copy of images that exist in the local database.

The Presto AE carries out operation as shown at the following table 3.2.2 by the status of the C-STORE response that received.

Table 3.2.2 Operation of the Presto AE for Every Status

Status	Operation
Success	The next C-STORE operation is started.
Refused	The C-STORE operation is ended, and the association is released.
Error	The C-STORE operation is ended, and the association is released.
Warning	The next C-STORE operation is started.

If an association is established and the Presto AE receives the C-STORE request, the Presto AE transfers the C-STORE response and register images which received to the local database.

The Presto AE responds a status as shown at the following table 3.2.3.

Table 3.2.3 Operation of the Presto AE for Every Status

Status	Status Code	Reason
Success	0000	The Presto AE succeeded to receive an image.
Refused	C000	The Presto AE received an image other than Presto.
Refused	C000	An image has invalid data element.
Error	A700	The Presto AE failed to save an image.

3.2.2 Image Print

The Presto AE starts an association in case a user performs the image print operation.

3.2.2.1 Associated Real-World Activity

The operator can choose images on the viewer application of the Presto and can transfer the film out put image to the print SCP.

The Presto AE starts an association to the print for every image group printed on film one sheet. And then the association is released after transmission this image group finishes.

3.2.2.2 Proposed Presentation Context

The Presto AE proposes the following table 3.2.3 presentation contexts.

Table 3.2.3 Proposed Presentation Context

Presentation Context Table					
Abstract Syntax		Transfer Syntax		Role	Extended Negotiation
Name	UID	Name List	UID List		
Basic Grayscale Print Management Meta SOP Class	1.2.840.10008.5.1.1.9	Implicit VR Little Endian	1.2.840.10008.1.2	SCU	None
		Explicit VR Little Endian	1.2.840.10008.1.2.1		
		Explicit VR Big Endian	1.2.840.10008.1.2.2		
Basic Annotation Box SOP Class	1.2.840.10008.5.1.1.15	Implicit VR Little Endian	1.2.840.10008.1.2	SCU	None
		Explicit VR Little Endian	1.2.840.10008.1.2.1		
		Explicit VR Big Endian	1.2.840.10008.1.2.2		

3.2.2.3 SOP Specific Conformance for Print SOP Class

When an association is established, the Presto AE performs DIMSE services in order the following table 3.2.4 for every film to print SCP. However, the order of this DIMSE services is not specified in the DICOM Standard.

Moreover, the Presto AE does not support the N-EVENT-REPORT from the print SCP.

Table 3.2.4 DIMSE Services which Presto AE Applies

Order	DIMSE Services of SOP Class	Description
1	Printer SOP Class N-GET	Acquire the printer information.
2	Basic Film Session SOP Class N-CREATE	Request to the print SCP to create the instance of a film session.
3	Basic Film Box SOP Class N-CREATE	Request to the print SCP to create the instance of a film box.
4	Basic Grayscale Image Box SOP Class N-SET	Request to the print SCP to set the image to be printed.
5	Basic Annotation Box SOP Class N-SET	Request to the print SCP to set annotations of film.
6	Basic Film Box SOP Class N-ACTION	Request to the print SCP to print the film box.
7	Basic Film Session SOP Class N-DELETE	Request to the print SCP to delete the instance of a film session.

The Presto AE carries out the following operation by the status of the DIMSE service response.

In the DIMSE service response except N-GET, if the status is not a success, an association will be aborted.

In N-GET response, if the status is an error or the printer state has unusual status, an association will be aborted, if the printer state is warning, it will be indicated by the message on the screen and processing will be continued.

The attributes of the option of the DIMSE service applied in each SOP class are shown in table 3.2.5 - table 3.2.8.

Table 3.2.5 Basic Film Session SOP Class (N-CREATE)

Tag	Attribute Name	Value
(2000,0010)	Number of Copies	1~99

Table 3.2.6 Basic Film Box SOP Class (N-CREATE)

Tag	Attribute Name	Value
(2010,0010)	Image Display Format	STANDARD¥1,1
(2010,0030)	Annotation Display Format ID	ANNOTATION, 1T, 1B, 1T1B, 1X3T, 1X3B, 1X3T1X3B, 1, 6, LABEL, FORMAT1
(2010,0040)	Film Orientation	PORTRAIT, RANDSCAPEE
(2010,0050)	Film Size ID	14INX17IN, 14INX14IN, 11INX14IN, 8INX10IN
(2010,0060)	Magnification Type	CUBIC
(2010,0500)	Referenced Film Session Sequence	
(0008,1150)	> Referenced SOP Class UID	Basic Film Session SOP Class UID
(0008,11559)	> Referenced SOP Instance UID	The value of (0000,1000) of Basic Film Session N-CREATE-RSP

Table 3.2.7 Basic Grayscale Image Box SOP Class (N-SET)

Tag	Attribute Name	Value
(2020,0010)	Image Position	1
(2020,0110)	Preformatted Grayscale Image Sequence	
(0028,0002)	Samples Per Pixel	1
(0028,0004)	Photometric Interpretation	MONOCHROME2
(0028,0010)	Rows	Number of pixels in Y-direction of image
(0028,0011)	Columns	Number of pixels in X-direction of image
(0028,0034)	Pixel Aspect Ratio	1¥1
(0028,0100)	Bits Allocated	8
(0028,0101)	Bits Stored	8
(0028,0102)	High Bit	7
(0028,0103)	Pixel Representation	0
(7FE0,0010)	Pixel Data	Pixel Data

Table 3.2.8 Basic Annotation Box SOP Class (N-SET)

Tag	Attribute Name	Value
(2030,0010)	Annotation Position	0, 1, 2, 3, 4, 5, 6
(2030,0020)	Text String	Text strings which user specified

3.2.3 Modality Worklist Management

The Presto AE starts an association in case a user performs the worklist query operation.

3.2.3.1 Associated Real-World Activity

The operator can configure the query conditions on the worklist query window of the Presto and can transfer the query conditions to the worklist server.

The Presto AE starts an association to the remote AE for every worklist query. And then it transfers a C-FIND request using the established association. And then the association is released after worklist query finish.

3.2.3.2 Proposed Presentation Context

The Presto AE proposes the following table 3.2.9 presentation contexts.

Table 3.2.9 Proposed Presentation Contexts

Presentation Context Table					
Abstract Syntax		Transfer Syntax		Role	Extended Negotiation
Name	UID	Name List	UID List		
Modality	1.2.840.10008.5.1.4.31	Implicit VR Little Endian	1.2.840.10008.1.2	SCU	None
Woklist		Explicit VR Little Endian	1.2.840.10008.1.2.1		
Information		Explicit VR Big Endian	1.2.840.10008.1.2.2		
Model - FIND SOP Class					

3.2.3.3 SOP Specific Conformance for Modality Worklist Management SOP Class

The Presto AE can perform one C-FIND operation in a single association.

If an association is established, the Presto AE issues the C-FIND and transfers the query conditions.

The Presto AE carries out operation as shown at the following table 3.2.10 by the status of the C-FIND response that received.

Table 3.2.10 Operation of the Presto AE for Every Status

Status	Operation
Success	The association is released.
Pending	The next C-FIND response is received.
Refused	The association is released.
Failed	The association is released.
Cancel	The association is released.

The Presto AE supports the following table 3.2.11 matching keys. In addition, the return keys that the Presto AE supports are written in Annex.

Table 3.2.11 Supported Matching Keys

Tag	Attribute Name	Type	User Configurable
(0040,0001)	Scheduled Station AE Title	R	Yes
(0040,0002)	Scheduled Procedure Step Start Date	R	Yes
(0008,0060)	Modality	R	-
(0010,0020)	Patient ID	R	Yes
(0008,0050)	Accession Number	O	Yes

3.2.4 Modality Performed Procedure Step

The Presto AE starts an association in case a user sends the work report.

3.2.4.1 Associated Real-World Activity

The operator can input the information to be required on the work report-making window of the Presto and can transfer the work report to the procedure step server.

The Presto AE starts an association to the remote AE for every work report transmission. And then it transfers a N-CREATE request or N-SET request using the established association. And then the association is released after transmission of work report finish.

3.2.4.2 Proposed Presentation Context

The Presto AE proposes the following table 3.2.12 presentation contexts.

Table 3.2.12 Proposed Presentation Contexts

Presentation Context Table					
Abstract Syntax		Transfer Syntax		Role	Extended Negotiation
Name	UID	Name List	UID List		
Modality Performed Procedure Step SOP Class	1.2.840.10008.3.1.2.3.3	Implicit VR Little Endian Explicit VR Little Endian Explicit VR Big Endian	1.2.840.10008.1.2 1.2.840.10008.1.2.1 1.2.840.10008.1.2.2	SCU	None

3.2.4.3 SOP Specific Conformance for Modality Performed Procedure Step SOP Class

The Presto AE can perform one N-CREATE operation or N-SET operation in a single association.

If an association is established, the Presto AE issues the N-CREATE or N-SET and transfers the query conditions.

The Presto AE carries out operation as shown at the following table 3.2.13 by the status of the N-CREATE response or N-SET response that received.

Table 3.2.13 Operation of the Presto AE for Every Status

Status	Operation
Success	The association is released.
Failed	The association is released.
Others	The association is released.

3.2.5 Storage Commitment

The Presto AE starts an association in case a user performs the storage commitment operation.

3.2.5.1 Associated Real-World Activity

The operator can choose images from the database of the Presto and can transfer the image lists to other databases and confirm if those images normally saved.

The Presto AE starts an association to the remote AE for every patient. And then it transfers a N-ACTION request using the established association. And then the association is released after transmission the all image lists finish. However, in case Presto AE receives N-EVENT-REPORT request from remote AE on the same association, it does not release the association. In addition, Presto AE can set up that if it receives N-EVENT-REPORT request on the same association.

When Presto AE receives a storage commitment result from remote AE, it writes that the storage commitment was successful in the record of the database of the images whose result is success. Presto AE do nothing to the images whose result is failure.

Presto AE can set up the term of validity, which accepts the storage commitment result from remote AE on 1 - 99 days. The storage commitment information that passed the term of validity is automatically deleted from the database.

3.2.5.2 Proposed Presentation Context

The Presto AE proposes the following table 3.2.14 presentation contexts.

Table 3.2.14 Proposed Presentation Contexts

Presentation Context Table					
Abstract Syntax		Transfer Syntax		Role	Extended Negotiation
Name	UID	Name List	UID List		
Storage Commitment	1.2.840.10008.1.20.1	Implicit VR Little Endian	1.2.840.10008.1.2	SCU	None
		Explicit VR Little Endian	1.2.840.10008.1.2.1		
		Explicit VR Big Endian	1.2.840.10008.1.2.2		

3.2.5.3 SOP Specific Conformance for Storage Commitment SOP Class

The Presto AE can perform only one N-ACTION operation in a single association.

If an association is established, the Presto AE issues N-ACTION and transfers the image lists that exist in the local database.

The Presto AE carries out operation as shown at the following table 3.2.15 by the status of N-ACTION response that received.

Table 3.2.15 Operation of the Presto AE for Every Status

Status	Operation
Success	The association is released or waits for N-EVENT-REPORT request.
Failed	The N-ACTION operation is ended, and the association is released.
Error	The N-ACTION operation is ended, and the association is released.

The Presto AE can perform N-EVENT-REPORT operation. At this time, it has to be set either up in advance whether N-EVENT-REPORT operation is performed on the same association as N-ACTION operation or that is done on the different association.

Presto AE transfers N-EVENT-REPORT response to the remote AE after receives N-EVENT-REPORT request. And then it release association immediately in case it performs N-EVENT-REPORT operation on the same association. Presto AE waits for next message from remote AE in case it performs N-EVENT-REPORT operation on the different association.

3.2.6 Query/Retrieve

The Presto AE starts an association in case a user performs the query/retrieve operation.

3.2.6.1 Associated Real-World Activity

The operator can configure the query conditions on the image query window of the Presto and can transfer the query conditions to the image server. And then the Presto receives the query results, he/she can select the images from them and move that images.

The Presto AE starts an association to the remote AE for every image query. Next it transfers a C-FIND request using the established association. It transfers C-MOVE request using the established association after it receives all C-FIND responses. And then the association is released after a C-MOVE response received.

3.2.6.2 Proposed Presentation Context

The Presto AE proposes the following table 3.2.16 presentation contexts.

Table 3.2.16 Proposed Presentation Contexts

Presentation Context Table					
Abstract Syntax		Transfer Syntax		Role	Extended Negotiation
Name	UID	Name List	UID List		
Patient Root Query/Retrieve Information Model - FIND	1.2.840.10008.5.1.4.1.2. 1.1	Implicit VR Little Endian Explicit VR Little Endian Explicit VR Big Endian	1.2.840.10008.1.2 1.2.840.10008.1.2.1 1.2.840.10008.1.2.2	SCU	None
Patient Root Query/Retrieve Information Model - MOVE	1.2.840.10008.5.1.4.1.2. 1.2	Implicit VR Little Endian Explicit VR Little Endian Explicit VR Big Endian	1.2.840.10008.1.2 1.2.840.10008.1.2.1 1.2.840.10008.1.2.2	SCU	None
Study Root Query/Retrieve Information Model - FIND	1.2.840.10008.5.1.4.1.2. 2.1	Implicit VR Little Endian Explicit VR Little Endian Explicit VR Big Endian	1.2.840.10008.1.2 1.2.840.10008.1.2.1 1.2.840.10008.1.2.2	SCU	None
Study Root Query/Retrieve Information Model - MOVE	1.2.840.10008.5.1.4.1.2. 2.1	Implicit VR Little Endian Explicit VR Little Endian Explicit VR Big Endian	1.2.840.10008.1.2 1.2.840.10008.1.2.1 1.2.840.10008.1.2.2	SCU	None

3.2.6.3 SOP Specific Conformance for Query/Retrieve SOP Class

The Presto AE can perform one C-FIND/C-MOVE operation in a single association.

If an association is established, the Presto AE issues the C-FIND and transfers the image query conditions.

The Presto AE carries out operation as shown at the following table 3.2.17 by the status of the C-FIND response that received. Also, it carries out operation as shown at the following table 3.2.18 by the status of the C-MOVE response that received.

Table 3.2.17 Operation of the Presto AE for Every Status (C-FIND)

Status	Operation
Success	The next C-FIND/C-MOVE request is transferred.
Pending	The next C-FIND response is received.
Refused	The association is released.
Failed	The association is released.
Cancel	The association is released.

Table 3.2.18 Operation of the Presto AE for Every Status (C-MOVE)

Status	Operation
Success	The association is released.
Pending	The next C-MOVE response is received.
Refused	The association is released.
Failed	The association is released.
Cancel	The association is released.

4 Communication Profiles

4.1 Supported Communication Stacks

The Presto provides TCP/IP network communication support as defined in Part8 of the DICOM Standard.

4.2 TCP/IP Stack

The Presto inherits its TCP/IP stack from the OS.

4.2.1 API

Not applicable.

4.2.2 Physical Media Support

Apply to the 10/100/1000 BASE-T Ethernet etc. .

5 Extensions / Specializations / Privatizations

5.1 Standard Extensions / Specializations / Private SOP

Not applicable.

5.2 Private Transfer Syntax

Not applicable.

6 Configuration

6.1 AE Title / Presentation Address Mapping

The Presto can configure or change the AE title of the local AE. Moreover, it can add, change and delete the AE title, host name, IP address and port number of the remote AE.

6.2 Configurable Parameters

The Presto can configure the following parameters in addition to the information described to section 6.1.

- Information related to the film (film orientation and film size)
- Information related to the image edition (items contained in image, frame size, frame color, default image display format, etc.)
- Information related to the film annotation (format and display position)
- Conditions for worklist matching keys (patient ID and exam date, etc.)
- Information related to the work report (date, time, worklists, series, comments, dose, film etc.)
- Conditions for image matching keys (patient name, patient ID, exam date and time etc.)

7 Support of Extended Character Sets

Not applicable.

8 Annex A

All IODs to output are shown in the following tables in implementing Storage Service Class SCU in the Presto AE. In addition, these IODs conform to the DICOM Standard Part3.

Table 8.1 Patient Module Attributes

Tag	Attribute Name	Type	Notes
(0010,0010)	Patient's Name	2	Value from user interface or RIS.
(0010,0020)	Patient ID	2	Value from user interface or RIS Maximum 16 digits can be set.
(0010,0030)	Patient's Birth Date	2	Value from user interface or RIS.
(0010,0040)	Patient's Sex	2	"M", "F", "O"
(0008,1120)	Referenced Patient Sequence	3	Value from RIS.
(0008,1150)	> Referenced SOP Class UID	1C	Value from RIS.
(0008,1155)	> Referenced SOP Instance UID	1C	Value from RIS.
(0010, 4000)	Patient's Comment	3	Value from user interface or RIS. Maximum 128 bytes can be set.

Table 8.2 General Study Module Attributes

Tag	Attribute Name	Type	Notes
(0020,000D)	Study Instance UID	1	Generated for each study or value from RIS.
(0008,0020)	Study Date	2	Generated for each study or value from RIS.
(0008,0030)	Study Time	2	Generated for each study or value from RIS.
(0008,0090)	Referring Physician's Name	2	Value from user interface or RIS.
(0020,0010)	Study ID	2	Generated for each study.
(0008,0050)	Accession Number	2	Value from user interface or RIS.
(0008,1030)	Study Description	3	Value from user interface or RIS. Maximum 64 bytes can be set.
(0008,1060)	Name of Physician(s) Reading Study	2	Value from user interface.
(0008,1110)	Referenced Study Sequence	3	Value from RIS.
(0008,1150)	> Referenced SOP Class UID	1C	Value from RIS.
(0008,1155)	> Referenced SOP Instance UID	1C	Value from RIS.
(0008,1032)	Procedure Code Sequence	3	Generated for each performed procedure step.
(0008,0100)	> Code Value	1C	Generated for each performed

			procedure step.
(0008,0102)	> Coding Scheme Designator	1C	Generated for each performed procedure step.
(0008,0100)	> Coding Scheme Version	1C	Generated for each performed procedure step.
(0008,0100)	> Code Meaning	1C	Generated for each performed procedure step.

Table 8.3 Patient Study Module Attributes

Tag	Attribute Name	Type	Notes
(0010,1010)	Patient's Age	3	Value from user interface or RIS.
(0010,1030)	Patient's Weight	3	Zero length or value from RIS.

Table 8.4 General Series Module Attributes

Tag	Attribute Name	Type	Notes
(0008,0060)	Modality	1	"CT"
(0020,000E)	Series Instance UID	1	Generated for each series.
(0020,0011)	Series Number	2	Generated sequentially.
(0008,0021)	Series Date	3	Generated for each series.
(0008,0031)	Series Time	3	Generated for each series.
(0008,1050)	Performing Physician's Name	3	Value from user interface.
(0018,1030)	Protocol Name	3	Protocol number corresponds to the value from user interface.
(0008,103E)	Series Description	3	Value from user interface. Maximum 64 bytes can be set.
(0008,1070)	Operator's Name	3	Value from user interface.
(0008,1111)	Referenced Performed Procedure Step Sequence	3	Generated for each performed procedure step.
(0008,1150)	> Referenced SOP Class UID	1C	Generated for each performed procedure step.
(0008,1155)	> Referenced SOP Instance UID	1C	Generated for each performed procedure step.
(0018,0015)	Body Part Examined	3	Value from user interface.
(0018,5100)	Patient Position	2C	"HFS", "HFP", "HFDR", "HFDL", "FFS", "FFP", "FFDR", "FFDL"
(0040,0275)	Request Attribute Sequence	3	Value from RIS
(0040,1001)	> Requested Procedure ID	1C	Value from RIS
(0040,0009)	> Scheduled Procedure Step ID	1C	Value from RIS

(0040,0007)	> Scheduled Procedure Step Description	3	Value from RIS
(0040,0008)	> Scheduled Protocol Code Sequence	3	Value from RIS
(0008,0100)	>> Code Value	1C	Value from RIS
(0008,0102)	>> Coding Scheme Designator	1C	Value from RIS
(0008,0100)	>> Coding Scheme Version	1C	Value from RIS
(0008,0100)	>> Code Meaning	1C	Value from RIS
(0040,0253)	Performed Procedure Step ID	3	Generated for each performed procedure step.
(0040,0244)	Performed Procedure Step Start Date	3	Generated for each performed procedure step.
(0040,0245)	Performed Procedure Step Start Time	3	Generated for each performed procedure step.
(0040,0254)	Performed Procedure Step Description	3	Generated for each performed procedure step.
(0040,0260)	Performed Protocol Code Sequence	3	Generated for each performed procedure step.
(0008,0100)	> Code Value	1C	Generated for each performed procedure step.
(0008,0102)	> Coding Scheme Designator	1C	Generated for each performed procedure step.
(0008,0100)	> Coding Scheme Version	1C	Generated for each performed procedure step.
(0008,0100)	> Code Meaning	1C	Generated for each performed procedure step.

Table 8.5 Frame Of Reference Module Attributes

Tag	Attribute Name	Type	Notes
(0020,0052)	Frame of Reference UID	1	
(0020,1040)	Position Reference Indicator	2	Zero length

Table 8.6 General Equipment Module Attributes

Tag	Attribute Name	Type	Notes
(0008,0070)	Manufacturer	2	"Hitachi Medical Corporation"
(0008,0080)	Institution Name	3	Value from user interface.
(0008,1010)	Station Name	3	Value from user interface.
(0008,1040)	Institutional Department Name	3	Value from user interface.
(0008,1090)	Manufacturer's Model Name	3	"Presto"
(0018,1000)	Device Serial Number	3	Generated for each device.
(0018,1020)	Software Versions	3	"0005"

Table 8.7 General Image Module Attributes

Tag	Attribute Name	Type	Notes
(0020,0013)	Instance Number	2	Generated sequentially.
(0020,0020)	Patient Orientation	2C	If "OBL" scanogram: e.g. "LP¥F" If gantry tilt: e.g. "R¥PF" Others: e.g. "L¥F"
(0008,0023)	Content Date	2C	Generated for each image.
(0008,0033)	Content Time	2C	Generated for each image.
(0008,0008)	Image Type	3	
(0020,0012)	Acquisition Number	3	Generated for each acquisition.
(0008,0022)	Acquisition Date	3	Generated for each acquisition.
(0008,0032)	Acquisition Time	3	Generated for each acquisition.
(0020,4000)	Image Comments	3	Value from user interface. Maximum 128 bytes can be set.

Table 8.8 Image Plane Module Attributes

Tag	Attribute Name	Type	Notes
(0028,0030)	Pixel Spacing	1	
(0020,0037)	Image Orientation (Patient)	1	
(0020,0032)	Image Position (Patient)	1	
(0018,0050)	Slice Thickness	2	Value from user interface.
(0020,1041)	Slice Location	3	

Table 8.9 Image Pixel Module Attributes

Tag	Attribute Name	Type	Notes
(0028,0002)	Samples per Pixel	1	1
(0028,0004)	Photometric Interpretation	1	"MONOCHROME2"
(0028,0010)	Rows	1	512,1024
(0028,0011)	Columns	1	512,1024
(0028,0100)	Bits Allocated	1	16
(0028,0101)	Bits Stored	1	13
(0028,0102)	High Bit	1	12
(0028,0103)	Pixel Representation	1	1
(7FE0,0010)	Pixel Data	1	

Table 8.10 Contrast / Bolus Module Attributes

Tag	Attribute Name	Type	Notes
(0018,0010)	Contrast/Bolus Agent	2	If contrast exam, value from user interface or RIS, or "CONT", and others zero length
(0018,1041)	Contrast/Bolus Volume	3	If contrast exam, value from user interface, and others zero length
(0018,1042)	Contrast/Bolus Start Time	3	If contrast exam, value from stop watch, and others zero length
(0018,1043)	Contrast/Bolus Stop Time	3	Zero length
(0018,1046)	Contrast/Bolus Rate(s)	3	If contrast exam, value from user interface, and others zero length

Table 8.11 CT Image Module Attributes

Tag	Attribute Name	Type	Notes
(0008,0008)	Image Type	1	
(0028,0002)	Samples per Pixel	1	1
(0028,0004)	Photometric Interpretation	1	"MONOCHROME2"
(0028,0100)	Bits Allocated	1	16
(0028,0101)	Bits Stored	1	13
(0028,0102)	High Bit	1	12
(0028,1052)	Rescale Intercept	1	0
(0028,1053)	Rescale Slope	1	1
(0018,0060)	KVP	2	Value from user interface.
(0020,0012)	Acquisition Number	2	Generated for each acquisition.
(0018,0090)	Data Collection Diameter	3	Value from user interface.
(0018,1100)	Reconstruction Diameter	3	Value from user interface and magnification power
(0018,1120)	Gantry/Detector Tilt	3	Value from user interface.
(0018,1130)	Table Height	3	
(0018,1140)	Rotation Direction	3	"CW"
(0018,1150)	Exposure Time	3	Value from user interface.
(0018,1151)	X-ray Tube Current	3	Value from user interface.
(0018,1152)	Exposure	3	Value from user interface.
(0018,1210)	Convolution Kernel	3	Value from user interface.

Table 8.12 VOI LUT Module Attributes

Tag	Attribute Name	Type	Notes
(0028,1050)	Window Center	3	Three values exist. Set Window \neq Upper \neq Lower
(0028,1051)	Window Width	1C	Three values exist. Set Window \neq Upper \neq Lower

Table 8.13 SOP Common Module Attributes

Tag	Attribute Name	Type	Notes
(0008,0016)	SOP Class UID	1	"1.2.840.10008.5.1.4.1.1.2"
(0008,0018)	SOP Instance UID	1	Generated for each image.
(0008,0005)	Specific Character Set	1C	Zero length
(0008,0012)	Instance Creation Date	3	Generated for each image.
(0008,0013)	Instance Creation Time	3	Generated for each image.
(0008,0014)	Instance Creator UID	3	Generated for each device.
(0020,0013)	Instance Number	3	Generated sequentially.

Table 8.14 Image ID Module (Private)

Tag	Attribute Name	Type	Notes
(0009,0010)	Private Creator	-	"HMC"
(0009,0011)	Private Creator	-	"HMC - CT - ID"
(0009,1100)	Image ID Information	-	Include patient information. (e.g. Patient Name, Patient ID)
(0009,1101)	Image ID Information	-	Include patient information. (e.g. Patient Comment)
(0019,0010)	Private Creator	-	"SET WINDOW"
(0019,1000)	Set Window Image Filter	-	
(0019,1001)	Set Window Magnification Power	-	

Table 8.15 Group Length

Tag	Attribute Name	Type	Notes
(0008,0000)	Group Length	3	
(0009,0000)	Group Length	3	
(0010,0000)	Group Length	3	
(0018,0000)	Group Length	3	
(0019,0000)	Group Length	3	
(0020,0000)	Group Length	3	
(0028,0000)	Group Length	3	
(7FE0,0000)	Group Length	3	

9 Annex B

All return keys to output are shown in the following tables in implementing Modality Worklist Management Service Class SCU in the Presto AE. In addition, these IODs conform to the DICOM Standard Part4.

Table 9.1 Return Keys for Worklist Management Information Model - FIND

Tag	Attribute Name	Type
(0008,0005)	Specific Character Set	1C
(0008,0050)	Accession Number	2
(0008,0080)	Institution Name	3
(0008,0081)	Institution Address	3
(0008,0082)	Institution Code Sequence	3
(0008,0100)	> Code Value	1C
(0008,0102)	> Coding Scheme Designator	1C
(0008,0103)	> Coding Scheme Version	3
(0008,0104)	> Code Meaning	3
(0008,0090)	Referring Physician's Name	2
(0008,0092)	Referring Physician's Address	3
(0008,0094)	Referring Physician's Phone Numbers	3
(0008,1080)	Admission Diagnosis Description	3
(0008,1084)	Admission Diagnosis Code Sequence	3
(0008,0100)	> Code Value	3
(0008,0102)	> Coding Scheme Designator	3
(0008,0103)	> Coding Scheme Version	3
(0008,0104)	> Code Meaning	3
(0008,1110)	Referenced Study Sequence	2
(0008,1150)	> Referenced SOP Class UID	1C
(0008,1155)	> Referenced SOP Instance UID	1C
(0008,1120)	Referenced Patient Sequence	2
(0008,1150)	> Referenced SOP Class UID	2
(0008,1155)	> Referenced SOP Instance UID	2
(0008,1125)	Referenced Visit Sequence	3
(0008,1150)	> Referenced SOP Class UID	3
(0008,1155)	> Referenced SOP Instance UID	3
(0010,0010)	Patient Name	1
(0010,0020)	Patient ID	1
(0010,0021)	Issuer of Patient ID	3
(0010,0030)	Patient's Birth Date	2

(0010,0032)	Patient's Birth Time	3
(0010,0040)	Patient's Sex	2
(0010,0050)	Patient's Insurance Plan Code Sequence	3
(0008,0100)	> Code Value	3
(0008,0102)	> Coding Scheme Designator	3
(0008,0103)	> Coding Scheme Version	3
(0008,0104)	> Code Meaning	3
(0010,1000)	Other Patient Ids	3
(0010,1001)	Other Patient Names	3
(0010,1005)	Patient's Birth Name	3
(0010,1010)	Patient's Age	3
(0010,1020)	Patient's Size	3
(0010,1030)	Patient's Weight	2
(0010,1040)	Patient's Address	3
(0010,1060)	Patient's Mother's Birth Name	3
(0010,1080)	Military Lank	3
(0010,1081)	Branch of Service	3
(0010,1090)	Medical Record Locator	3
(0010,2000)	Medical Alerts	2
(0010,2110)	Contrast Allergies	2
(0010,2150)	Country of Residence	3
(0010,2152)	Region of Residence	3
(0010,2154)	Patient's Telephone Numbers	3
(0010,2160)	Ethnic Group	3
(0010,2180)	Patient's Occupation	3
(0010,21A0)	Smoking State	3
(0010,21B0)	Additional Patient History	3
(0010,21C0)	Pregnancy State	2
(0010,21D0)	Last Menstrual Date	3
(0010,21F0)	Patient's Religious Preference	3
(0010,4000)	Patient Comments	3
(0020,000D)	Study Instance UID	1
(0032,1032)	Requesting Physician	2
(0032,1033)	Requesting Service	3
(0032,1060)	Requested Procedure Description	1C
(0032,1064)	Requested Procedure Code Sequence	1C
(0008,0100)	> Code Value	1C
(0008,0102)	> Coding Scheme Designator	1C

(0008,0103)	> Coding Scheme Version	3
(0008,0104)	> Code Meaning	3
(0038,0004)	Referenced Patient Alias Sequence	3
(0008,1150)	> Referenced SOP Class UID	3
(0008,1155)	> Referenced SOP Instance UID	3
(0038,0008)	Visit Status ID	3
(0038,0010)	Admission ID	2
(0038,0011)	Issuer of Admission ID	3
(0038,0016)	Route of Admission	3
(0038,0020)	Admitting Date	3
(0038,0021)	Admitting Time	3
(0038,0050)	Special Needs	2
(0038,0300)	Current Patient Location	2
(0038,0400)	Patient's Institution Residence	3
(0038,0500)	Patient State	2
(0038, 4000)	Visit Comments	3
(0040,0100)	Scheduled Procedure Step Sequence	1
(0008,0060)	> Modality	1
(0032,1070)	> Requested Contrast Agent	2C
(0040,0001)	> Scheduled Station AE Title	1
(0040,0002)	> Scheduled Procedure Step Start Date	1
(0040,0003)	> Scheduled Procedure Step Start Time	1
(0040,0004)	> Scheduled Procedure Step End Date	3
(0040,0005)	> Scheduled Procedure Step End Time	3
(0040,0006)	> Scheduled Performing Physician's Name	2
(0040,0007)	> Scheduled Procedure Step Description	1C
(0040,0008)	> Scheduled Protocol Code Sequence	1C
(0008,0100)	>> Code Value	1C
(0008,0102)	>> Coding Scheme Designator	1C
(0008,0103)	>> Coding Scheme Version	3
(0008,0104)	>> Code Meaning	3
(0040,0009)	> Scheduled Procedure Step ID	1
(0040,0010)	> Scheduled Station Name	2
(0040,0011)	> Scheduled Procedure Step Location	2
(0040,0012)	> Pre-Medication	2C
(0040,0020)	> Scheduled Procedure Step Status	3
(0040,0400)	> Comments on the Scheduled Procedure Step	3
(0040,1001)	Requested Procedure ID	1

(0040,1002)	Reason for Requested Procedure	3
(0040,1003)	Requested Procedure Priority	2
(0040,1004)	Patient Transport Arrangements	2
(0040,1005)	Requested Procedure Location	3
(0040,1008)	Confidentiality Code	3
(0040,1009)	Reporting Priority	3
(0040,1010)	Name of Intended Recipients of Results	3
(0040,1400)	Requested Procedure Comments	3
(0040,2001)	Reason for the Imaging Service Request	3
(0040,2004)	Issuing Date of Imaging Service Request	3
(0040,2005)	Issuing Time of Imaging Service Request	3
(0040,2008)	Order Entered By...	3
(0040,2009)	Order Enterer's Location	3
(0040,2010)	Order Callback Phone Number	3
(0040,2016)	Placer Order Number / Imaging Service Request	3
(0040,2017)	Filler Order Number / Imaging Service Request	3
(0040,2400)	Imaging Service Request Comments	3
(0040,3001)	Confidentiality Constraint on Patient Data	2

10 Annex C

All attributes to output are shown in the following tables in implementing Modality Performed Procedure Step Service Class SCU in the Presto AE. In addition, these attributes conform to the DICOM Standard Part4.

Table 10.1 Attributes for Modality Performed Procedure Step

Tag	Attribute Name	Type (N-CREATE)	Type (N-SET)	Type (Final State)
(0008,0005)	Specific Character Set	1C	-	
(0008,0060)	Modality	1	-	
(0008,1032)	Procedure Code Sequence	2	3	
(0008,0100)	> Code Value	1C	1C	
(0008,0102)	> Coding Scheme Designator	1C	1C	
(0008,0103)	> Coding Scheme Version	3	3	
(0008,0104)	> Code Meaning	3	3	
(0008,1120)	Referenced Patient Sequence	2	-	
(0008,1150)	> Referenced SOP Class UID	1C	-	
(0008,1155)	> Referenced SOP Instance UID	1C	-	
(0010,0010)	Patient Name	2	-	
(0010,0020)	Patient ID	2	-	
(0010,0030)	Patient's Birth Date	2	-	
(0010,0040)	Patient's Sex	2	-	
(0020,0010)	Study ID	2	-	
(0040,0241)	Performed Station AE Title	1	-	
(0040,0242)	Performed Station Name	2	-	
(0040,0243)	Performed Location	2	-	
(0040,0244)	Performed Procedure Step Start Date	1	-	
(0040,0245)	Performed Procedure Step Start Time	1	-	
(0040,0250)	Performed Procedure Step End Date	2	3	1
(0040,0251)	Performed Procedure Step End Time	2	3	1
(0040,0252)	Performed Procedure Step Status	1	3	
(0040,0253)	Performed Procedure Step ID	1	-	
(0040,0254)	Performed Procedure Step Description	2	3	
(0040,0255)	Performed Procedure Type Description	2	3	
(0040,0260)	Performed Protocol Code Sequence	2	3	
(0008,0100)	> Code Value	1C	1C	
(0008,0102)	> Coding Scheme Designator	1C	1C	
(0008,0103)	> Coding Scheme Version	3	3	

(0008,0104)	> Code Meaning	3	3	
(0040,0270)	Scheduled Step Attribute Sequence	1	-	
(0008,0050)	> Accession Number	2	-	
(0008,1110)	> Reference Study Sequence	2	-	
(0008,1150)	>> Referenced SOP Class UID	1C	-	
(0008,1155)	>> Referenced SOP Instance UID	1C	-	
(0020,000D)	> Study Instance UID	1	-	
(0032,1060)	> Requested Procedure Description	2	-	
(0040,0007)	> Scheduled Procedure Step Description	2	-	
(0040,0008)	> Scheduled Protocol Code Sequence	2	-	
(0008,0100)	>> Code Value	1C	1C	
(0008,0102)	>> Coding Scheme Designator	1C	1C	
(0008,0103)	>> Coding Scheme Version	3	3	
(0008,0104)	>> Code Meaning	3	3	
(0040,0009)	> Scheduled Procedure Step ID	2	-	
(0040,1001)	> Requested Procedure ID	2	-	
(0040,2016)	> Placer Order Number / Imaging Service Request	3	-	
(0040,2017)	> Filler Order Number / Imaging Service Request	3	-	
(0040,0300)	Total Time of Fluoroscopy	3	3	
(0040,0301)	Total Number of Exposure	3	3	
(0040,030E)	Exposure Dose Sequence	3	3	
(0018,0060)	> KVp	3	3	
(0018,1150)	> Exposure Time	3	3	
(0018,8151)	> X-ray Tube Current in uA	3	3	
(0040,0310)	Comments on Radiation Dose	3	3	
(0040,0321)	Film Sequence	3	3	
(2000,0030)	> Medium Type	3	3	
(2010,0050)	> Film Size ID	3	3	
(2100,0170)	> Number of Films	3	3	
(0040,0340)	Performed Series Sequence	2	3	1
(0008,0054)	> Retrieve AE Title	2C	2C	2
(0008,103E)	> Series Description	2C	2C	2
(0008,1070)	> Operator's Name	2C	2C	2
(0008,1050)	> Performed Physician's Name	2C	2C	2
(0008,1140)	> Referenced Image Sequence	2C	2C	
(0008,1150)	>> Referenced SOP Class UID	1C	1C	

(0008,1155)	>> Referenced SOP Instance UID	1C	1C	
(0018,1030)	> Protocol Name	1C	1C	1
(0020,000E)	> Series Instance UID	1C	1C	1
(0040,0220)	> Referenced Non-Image Composite SOP Instance Sequence	2C	2C	
(0040,8302)	Entrance Dose in mGy	3	3	

11 Annex D

The attributes of the worklist that Presto AE copies to CT image and MPPS are shown in the following table.

Table 11.1 MWM Return Keys Copied to CT Image IODs and MPPS IODs

Worklist		CT Image IOD		MPPS	
Tag	Attribute Name	Tag	Attribute Name	Tag	Attribute Name
(0008,0005)	Specific Character Set	(0008,0005)	Specific Character Set	(0008,0005)	Specific Character Set
(0008,0050)	Accession Number	(0008,0050)	Accession Number	(0008,0050)	Accession Number
(0008,0090)	Referring Physician's Name	(0008,0090)	Referring Physician's Name	-	-
(0008,1110)	Referenced Study Sequence	(0008,1110)	Referenced Study Sequence	(0008,1110)	Referenced Study Sequence
(0008,1120)	Referenced Patient Sequence	(0008,1120)	Referenced Patient Sequence	(0008,1110)	Referenced Patient Sequence
(0010,0010)	Patient Name	(0010,0010)	Patient Name	(0010,0010)	Patient Name
(0010,0020)	Patient ID	(0010,0020)	Patient ID	(0010,0020)	Patient ID
(0010,0030)	Patient Birth Date	(0010,0030)	Patient Birth Date	(0010,0030)	Patient Birth Date
(0010,0040)	Patient Sex	(0010,0040)	Patient Sex	(0010,0040)	Patient Sex
(0010,1010)	Patient Age	(0010,1010)	Patient Age	-	-
(0010,1030)	Patient Weight	(0010,1030)	Patient Weight	-	-
(0010,4000)	Patient Comment	(0010,4000)	Patient Comment	-	-
(0020,000D)	Study Instance UID	(0020,000D)	Study Instance UID	(0020,000D)	Study Instance UID
(0032,1060)	Requested Procedure Description	(0008,1030)	Study Description	(0032,1060)	Requested Procedure Description
(0032,1064)	Requested Procedure Code Sequence	(0008,1032)	Procedure Code Sequence	(0008,1032)	Procedure Code Sequence
(0032,1070)	Requested Contrast Agent	(0018,0010)	Contrast Bolus Agent	-	-

(0040,0006)	Scheduled Procedure Physician's Name	(0008,1050)	Performing Physician's Name	-	-
(0040,0007)	Scheduled Procedure Step Description	(0040,0007)	Scheduled Procedure Step Description	(0040,0007)	Scheduled Procedure Step Description
(0040,0008)	Scheduled Protocol Code Sequence	(0040,0008)	Scheduled Protocol Code Sequence	(0040,0008)	Scheduled Protocol Code Sequence
(0040,0009)	Scheduled Procedure Step ID	(0040,0009)	Scheduled Procedure Step ID	(0040,0009)	Scheduled Procedure Step ID
(0040,1001)	Requested Procedure ID	(0020,0010)	Study ID	(0020,0010)	Study ID
		(0040,1001)	Requested Procedure ID	(0040,1001)	Requested Procedure ID
(0040,2016)	Placer Order Number/Imaging Service Request	-	-	(0040,2016)	Placer Order Number/Imaging Service Request
(0040,2017)	Filler Order Number/Imaging Service Request			(0040,2016)	Filler Order Number/Imaging Service Request

12 Annex E

All attributes to output are shown in the following tables in implementing Storage Commitment Service Class SCU in the Presto AE. In addition, these attributes conform to the DICOM Standard Part4.

Table 12.1 Attributes for Storage Commitment Request - Action

Tag	Attribute Name	Type
(0008,1195)	Transaction UID	1
(0008,1199)	Referenced SOP Sequence	1
(0008,1150)	> Referenced SOP Class UID	1
(0008,1155)	> Referenced SOP Instance UID	1

13 Annex F

All matching keys to output are shown in the following tables in implementing Query/Retrieve Service Class SCU in the Presto AE. In addition, these IODs conform to the DICOM Standard Part4.

Table 13.1 Matching Keys for Patient Root Patient Level - FIND

Tag	Attribute Name	Type	Notes
(0008,0005)	Specific Character Set	O	
(0008,0052)	Query/Retrieve Level	R	“PATIENT”
(0008,0070)	Manufacturer	O	“Hitachi Medical Corporation”
(0008,1090)	Manufacturer’s Model Name	O	“Presto”
(0010,0010)	Patient’s Name	R	
(0010,0020)	Patient ID	U	
(0010,0030)	Patient’s Birth Date	O	Zero Length
(0010,0040)	Patient’s Sex	O	Zero Length
(0010,1010)	Patient’s Age	O	Zero Length

Table 13.2 Matching Keys for Patient Root Study Level - FIND

Tag	Attribute Name	Type	Notes
(0008,0020)	Study Date	R	
(0008,0030)	Study Time	R	
(0008,0050)	Accession Number	R	
(0008,0052)	Query/Retrieve Level	R	“STUDY”
(0008,0061)	Modalities in Study	O	“CT”
(0008,0070)	Manufacturer	O	“Hitachi Medical Corporation”
(0008,0090)	Referring Physician’s Name	O	Zero Length
(0008,1030)	Study Description	O	Zero Length
(0008,1090)	Manufacturer’s Model Name	O	“Presto”
(0020,000D)	Study Instance UID	U	Zero Length
(0020,0010)	Study ID	R	Zero Length

Table 13.3 Matching Keys for Patient Root Series Level - FIND

Tag	Attribute Name	Type	Notes
(0008,0005)	Specific Character Set	O	
(0008,0052)	Query/Retrieve Level	R	“SERIES”
(0008,0060)	Modality	R	“CT”
(0008,0070)	Manufacturer	O	“Hitachi Medical Corporation”
(0008,1090)	Manufacturer’s Model Name	O	“Presto”
(0018,0010)	Contrast/Bolus Agent	O	
(0018,0015)	Body Part Examined	O	
(0020,000E)	Series Instance UID	U	Zero Length
(0020,0011)	Series Number	R	

Table 13.4 Matching Keys for Study Root Study Level - FIND

Tag	Attribute Name	Type	Notes
(0008,0005)	Specific Character Set	O	
(0008,0020)	Study Date	R	
(0008,0030)	Study Time	R	
(0008,0050)	Accession Number	R	
(0008,0052)	Query/Retrieve Level	R	“STUDY”
(0008,0061)	Modalities in Study	O	“CT”
(0008,0070)	Manufacturer	O	“Hitachi Medical Corporation”
(0008,0090)	Referring Physician’s Name	O	Zero Length
(0008,1030)	Study Description	O	Zero Length
(0008,1090)	Manufacturer’s Model Name	O	“Presto”
(0010,0010)	Patient’s Name	R	
(0010,0020)	Patient ID	R	
(0010,0030)	Patient’s Birth Date	O	Zero Length
(0010,0040)	Patient’s Sex	O	Zero Length
(0020,000D)	Study Instance UID	U	Zero Length
(0020,0010)	Study ID	R	Zero Length

Table 13.5 Matching Keys for Study Root Series Level - FIND

Tag	Attribute Name	Type	Notes
(0008,0005)	Specific Character Set	O	
(0008,0052)	Query/Retrieve Level	R	“SERIES”
(0008,0060)	Modality	R	“CT”
(0008,0070)	Manufacturer	O	“Hitachi Medical Corporation”
(0008,1090)	Manufacturer’s Model Name	O	“Presto”
(0018,0010)	Contrast/Bolus Agent	O	
(0018,0015)	Body Part Examined	O	
(0020,000E)	Series Instance UID	U	Zero Length
(0020,0011)	Series Number	R	